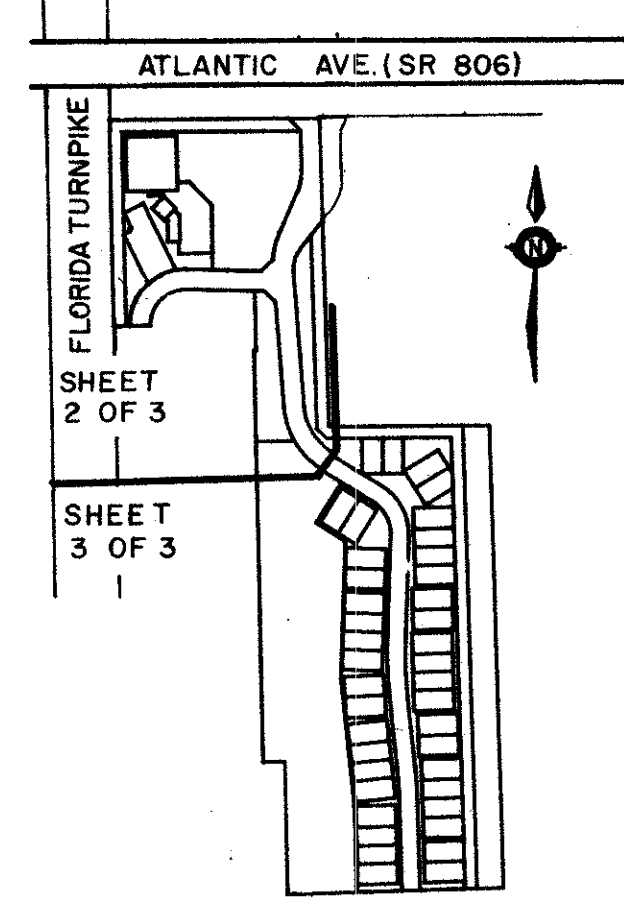


THE BABCOCK P.U.D. - PARCEL C

BEING A REPLAT OF A PORTION OF TRACTS 2, 3, AND 31 - 34,
OF PALM BEACH FARMS COMPANY PLAT NO. 1 (P.B. 2 PGS. 26-28)
SITUATE IN SECTION 20, TOWNSHIP 46 SOUTH, RANGE 42 EAST
PALM BEACH COUNTY, FLORIDA

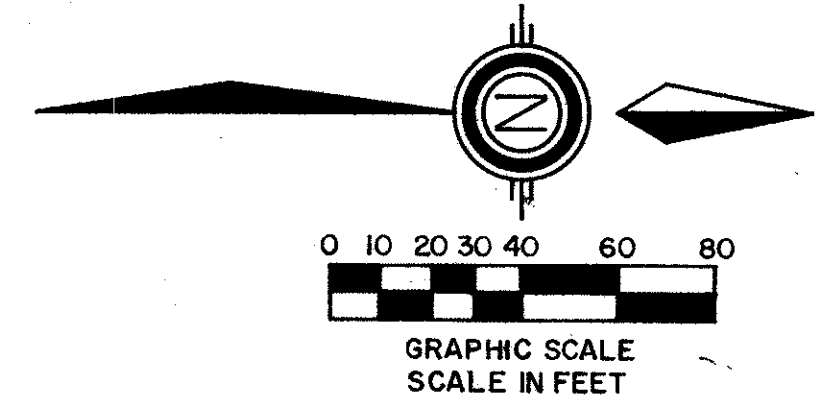
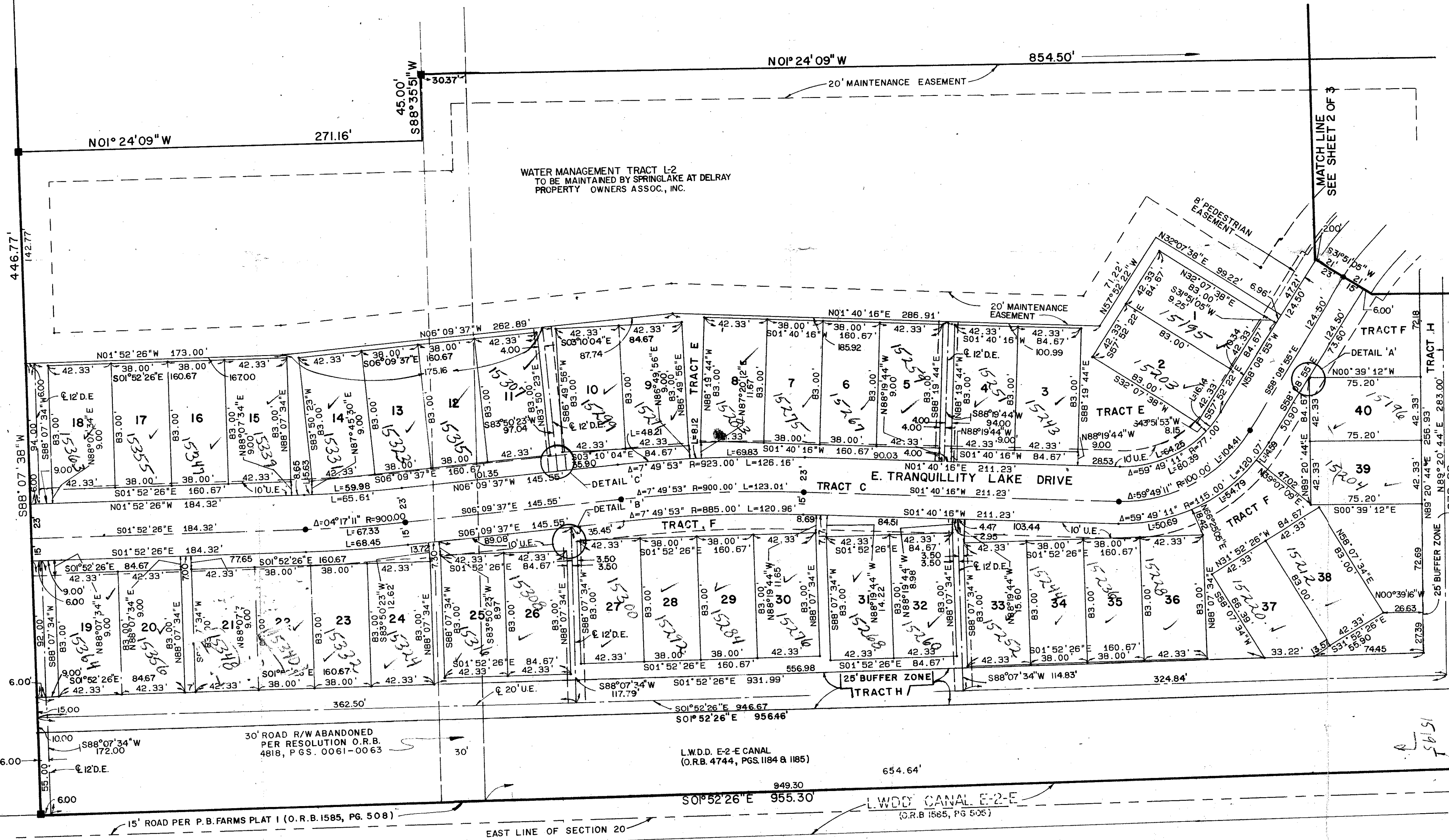
1989

SHEET 3 OF 3



STATE OF FLORIDA
COUNTY OF PALM BEACH
THIS PLAT WAS FILED FOR
RECORD _____ DAY OF _____
AD, 1989 AND DULY RECORDED
IN PLAT BOOK _____ ON PAGES
_____ AND _____
BY: JOHN B. DUNKLE, CLERK
D.C.
CIRCUIT COURT SEAL

P.B. FARMS CO. PLAT NO. 1
(P.B. 2, PGS. 26-28)

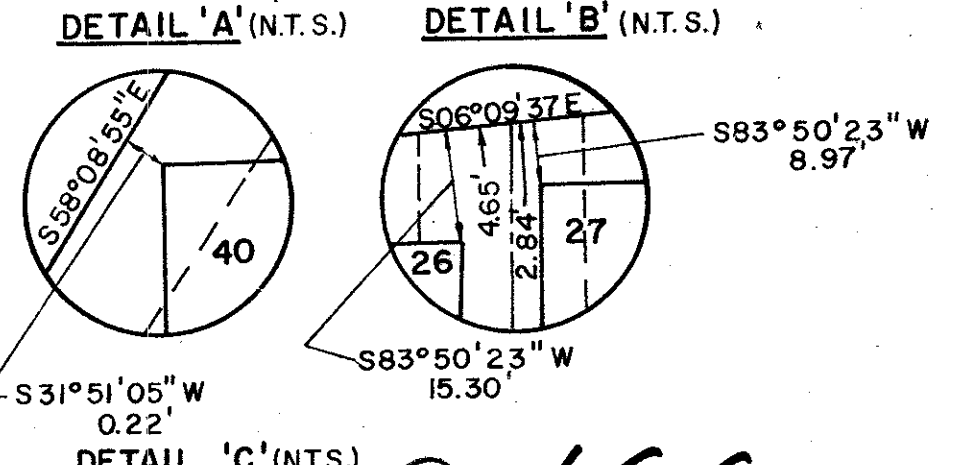


Handwritten notes:
742 468
P.B. FARMS CO. PLAT NO. 1
(P.B. 2, PGS. 26-28)
RS 85-54
33846

MATCH LINE SEE SHEET 2 OF 3

NORTHLINE TRACT 32
P.B. 2 PGS. 26-28

P.B. FARMS CO. PLAT NO. 1
(P.B. 2, PGS. 26-28)



0488-001

61/200

STANLEY/WANTMAN, INC.
2000 LOMBARD STREET, WEST PALM BEACH, FL. 33407 (305) 642-7444

DRAWN B B/MEH	DATE SEPT. '87
CHECKED W B/H	SCALE 1"=40'
DRAWING NO. 09269PL	

THE BABCOCK P.U.D.
PARCEL C

GLENEAGLES PLAT ONE
(P.B. 50, PGS. 63-65)

P.B. FARMS CO. PLAT NO. 1
(P.B. 2, PGS. 26-28)